



MODEL: PTF116 & PTF116X

HIGH VISCOSITY & SANITARY APPLICATIONS

- 0.2% ACCURACY
- INTRINSICALLY SAFE (OPTION)
- ZERO AND SPAN ADJUSTMENTS
- TEMPERATURE COMPENSATION
- MEDIUM TEMPERATURE -40...+120°C
- 316L STAINLESS STEEL WETTED PARTS
- LONG SERVICE LIFE AND GREAT STABILITY
- RANGES FROM 1.5 psi UP TO 10000 psi (100 mbar TO 600 bar)
- LOCAL INDICATOR WITHOUT OR WITH TWO OPTO CONTACTS (OPTION)

Also available as
EX version



With local indicator;
available as option



INTRODUCTION

Indumart *PTF116* Flush Diaphragm Pressure Transmitters are very accurate and reliable instruments which convert pressure inputs to current or voltage signals. The *PTF116X* is suitable for potentially explosive environment.

Flush diaphragm transmitters are suitable for the measurement of slurry, sludge, or high viscosity media. By avoiding dead area crystallization of the solid particles, they ensure trouble-free pressure measurement. These pressure transmitters have been carefully designed to cover the majority of industrial applications, such as, water and wastewater treatment, pulp and paper stock measurement, level measurements, chemical and petrochemical processes, food and pharmaceutical industries, and many other process control operations.

The case and wetted parts of the *PTF116* transmitters comprise stainless steel and are thus resistant to chemically aggressive media.

The *PTF116* transmitters are available in various ranges, as low as 1.5 psi (0.1 bar) to the maximum of 10,000 psi (600 bar). The zero and span of the *PTF116* can be adjusted by the user to accommodate any pressure offset or the exact range setting.

The *PTF116* transmitters operate in media temperature of up to 120°C and compensate for the errors due to temperature variations of up to 80°C. This '2-wire' transmitter meets the requirements for a great level of electromagnetic compatibility (EMC) protection.

Optionally the *PTF116* with current output can be combined with the *DIS100* indicator (not available for *PTF116X*). This combination can have no contact or two opto contacts.

SPECIFICATIONS

Accuracy	0.2% of full scale
Case	304 St. steel
Wetted Parts	316L St. steel
Process Connection	G1" or G½"
Measuring Range	for ½" connection: 0...35 psi to 0...10000 psi (2.5 bar to 600 bar) for 1" connection: 0...1.5 psi to 0...1000 psi (100 mbar to 70 bar)
Pressure Type	Absolute, vacuum, compound and positive pressures
Output Signals	2-wire 4-20 mA (std); 0-20 mA & 0-10 VDC (option)
Supply power	Nominal 24 VDC 10.5-36 VDC for mA output 15-36 VDC for volt output
Intrinsically Safe	II 1/2 Ex ia IIC T4/T5 (option)
Electric Connection	Plug with junction box
Load (R) in ohms	$R < (U_{supply} - 10.5V) / 0.02 A$ $R > 5 k\Omega$ for volt output
Zero & Span Adjust.	10% of the nominal range
Thermal Error	Typically 0.02%/°C
Medium Temperature	-40...120°C
Compensated Temp.	-10...80°C
Ambient Temperature	-40...80°C
Environ. Protection	IP65; IP67 (option)

Code	Range	Over-pressure
V1	-1...0 bar	1 bar
B1	0...0.1	1
B2	0...0.25	2.5
B4	0...0.4	2.5
B6	0...0.6	2.5
01	0...1	4
02	0...1.6	6.4
03	0...2.5	10
04	0...4	16
05	0...6	24
06	0...10	40
07	0...16	64
08	0...25	100
09	0...40	160
10	0...60	240
11	0...100	400
12	0...160	640
13	0...250	1000
14	0...400	1200
15	0...600	1200
For kPa ranges, please specify in bars. 1 bar = 100 kPa		
G1	-30"Hg...0	15 psi
E2	0...1.5 psi	15
E5	0...5	35
20	0...10	35
21	0...15	60
22	0...30	120
23	0...60	240
24	0...100	400
25	0...150	600
26	0...200	800
27	0...300	1200
28	0...400	1600
29	0...500	2000
30	0...600	2400
31	0...750	3000
32	0...1000	4000
33	0...1500	6000
34	0...2000	8000
35	0...3000	12000
36	0...5000	17000
37	0...7500	17000
38	0...10000	17000

Measuring ranges can have an interval of 10 mbar (0.15 psi) up to 600 bar (10000 psi). Therefore, almost any range can be supplied. Please use XX code for vacuum, compound and special ranges.
Ex.: 0...5 bar, 0...12 bar, 0...2 psi, 0...120 psi, etc.

ORDER CODES

Model PTF116 - -

INTRINSICALLY SAFE
Not Required (std.) - X
Required

RANGE
A Range from the Table
For special ranges use XX

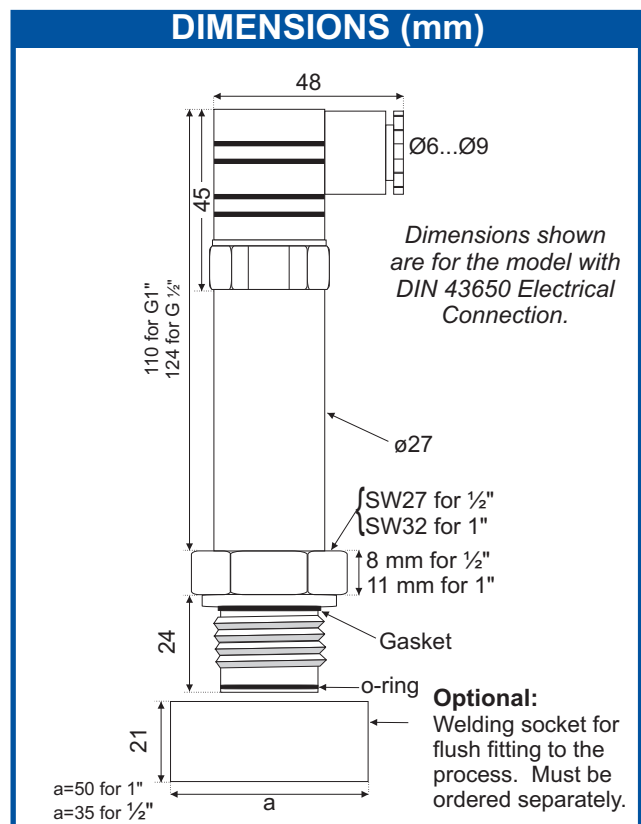
PRESSURE
Absolute A
Gauge G

PROCESS CONNECTION
G 1/2" 1
G 1" 2
Other (please specify) 3

OUTPUT SIGNAL
4 - 20 mA 1
20 - 4 mA 2
0 - 10 VDC 3
0 - 20 mA 4
Other (please specify) 9

ELECTRICAL CONNECTION
Industrial Standard DIN 43650 (IP65) 1
M12x1 with 3 m cable (IP67) 2
Cable Connection with 3 m cable (IP67) 3

*For cable length of more than 3m, please specify at the time of ordering.
(Local indicator must be ordered separately, but not available as intrinsically safe)*



INDUMART INC.

1-15 W. Pearce St., Richmond Hill, Ont. L4B 1H6, Canada
Phone: (905) 707-9998 Fax: (905) 707-8484 E-mail: Sales@Indumart.com