



SERIES: PTF108

- ST. STEEL HOUSING & PROCESS CONNECTION
- EXCELLENT ALTERNATING LOAD RESISTANCE
- NEGATIVE OR POSITIVE GAUGE PRESSURES
- LONG SERVICE LIFE AND GREAT STABILITY
- RANGES UP TO 600 PSI OR 40 BAR
- ELECTROMAGNETIC PROTECTION

APPLICATIONS

Hydraulics
 HVAC
 Refrigeration
 Food Industry
 Process Tech.
 Water Supply
 Test Bench
 Autoclaves
 Automotive



INTRODUCTION

Indumart *PTF108 Series* of Pressure Transmitters convert pressure inputs to current signals. It has both zero and span adjustments to enhance the accuracy of measurement and to allow offset and range modifications.

The *PTF108* transmitters operate in media temperature of up to 85°C and compensate for the errors due to temperature variations of up to 70°C.

The heavy-duty *PTF108* meets the requirements for a great level of electromagnetic compatibility (EMC) protection.

SPECIFICATIONS

Accuracy	±0.5% of full scale
Case & Wetted Parts	17-4 PH st. steel, AISI 630
Sensor	Ceramic, Al ₂ O ₃ (96%)
Sealing Material	Nitrile
Process Connection	¼" NPT male, G½ male, M20 x 1.5
Output Signals	4-20 mA
Supply power	Nominal 24 VDC (12...36 VDC)
Load (R) in ohms	$R < (U_{\text{supply}} - 12V) / 0.02 A$
Span Adjustment	20% of the nominal range
Zero Adjustment	5% of the nominal range
Medium Temperature	-40...85°C
Compensated Temp.	0...70°C
Ambient Temperature	-40...85°C
Environ. Protection	IP65
Vibration	20 g
Shock	50 g / 11 ms
Noise	< 2 mv RMS
Frequency bandwidth	DC to 1 KHz (-3db)

Code	Range	Over Range	Burst Pressure
01	0...1 bar	2 bar	5 bar
02	0...1.6	3	8
03	0...2.5	5	12
04	0...4	8	20
05	0...6	12	30
06	0...10	20	50
07	0...16	32	80
08	0...25	50	125
09	0...40	80	200
1 bar = 100 kPa			
21	0...15 psi	30 psi	75 psi
22	0...30	60	150
23	0...60	120	300
24	0...100	200	500
25	0...150	300	750
26	0...200	400	1000
27	0...300	600	1500
28	0...400	800	2000
29	0...500	1000	2500
30	0...600	1200	3000

Please use XX code for vacuum, compound and special ranges.
Ex.: -1...4 bar, 0...5 bar, 0...12 bar, -10...30 psi, 0...120 psi, etc.

ORDER CODES

Model PTF108 - -

RANGE

Select a range (01 to 30)

for special ranges use XX. Ex: -100...0...+400 kPa

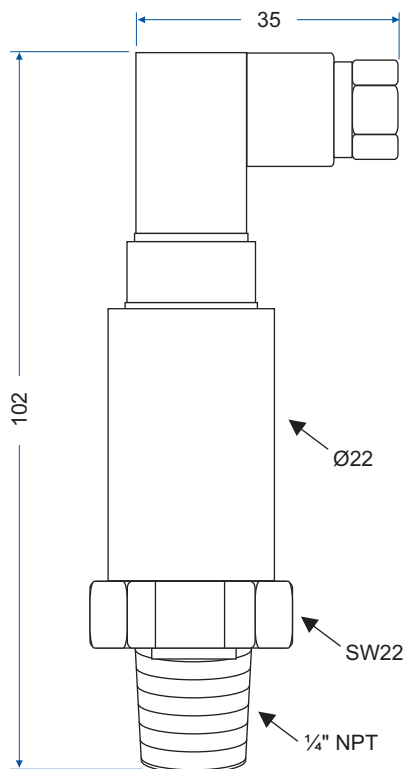
PROCESS CONNECTION

¼" NPT male
G ½ male
M20 x 1.5
Special

A
B
C
X

Example: PTF108-06-A

DIMENSIONS (mm)



Total length varies with the process connection.
For example the length for G½ is 111 mm.

Your Single Source for Pressure Transmitters



INDUMART INC.

1-15 W. Pearce St., Richmond Hill, Ont. L4B 1H6, Canada
Phone: (905) 707-9998 Fax: (905) 707-8484 E-mail: Sales@Indumart.com