

SERIES: SEM104

- 2-WIRE 4-20 mA OUTPUT
- ADJUSTABLE ZERO AND SPAN
- RTD OR THERMOCOUPLE INPUT
- CHANGEABLE MEASURING RANGE



INTRODUCTION

Indumart SEM104 Series 2-Wire Temperature Transmitters provide accurate and reproducible conversion of RTD or thermocouple signals to 4-20 mA output.

One model is designed to accept RTD (Pt-100, 2 or 3 wire) input. The others accept types J, K and T thermocouple inputs and also provide automatic thermocouple cold junction compensation.

The transmitters will be supplied in standard factory calibrated ranges, but on board links allow the transmitter to be easily re-ranged to operate over most industrial and commercial applications. ZERO and SPAN potentiometers are provided to allow fine re-calibration at both ends of the scale.

The SEM104 Series are mounted on the standard 33 mm fixing centers of miniature RTD or thermocouple connection heads.

SPECIFICATIONS @ 20°C

SEM104P used for RTD

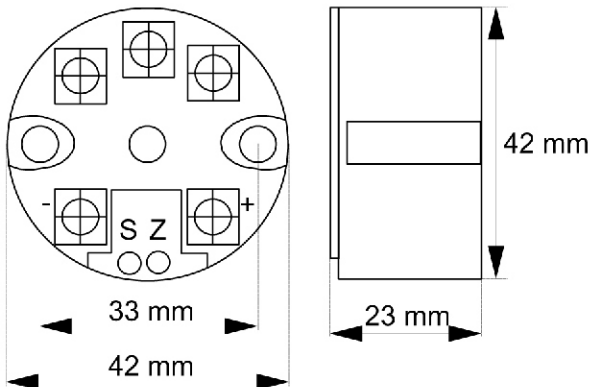
Accuracy	±0.2°C ± 0.2% of reading
Offset Adjustment	Range dependent
Gain Adjustment	25 to 500°C

SEM104J, K or T

Linearization	Linear to mV
Accuracy	±0.1% FRO + Cold Junc. err.
Offset adjustment	±100°C; Solder links & potentiometer
Span Adjustment	100 to 1000°C
Impedance	>1M Ohm
Burn Out	Upscale standard; Downscale by link
Cold Junction	Automatic 0 to 70°C

GENERAL

Output	4-20 mA loop powered, Max. 30 mA
Loop Supply	10 to 30 VDC
Loop Resistance	700Ω Max. @ 24V
Ambient Temperature	0 to 70°C operating
Ambient RH	0 to 95% non-condensing
Case Size	42 mm dia. × 23 mm Height



Ordering SEM104

SEM104 / /

2- or 3-Wire RTD Pt-100 Input	Pt-100
Type J Thermocouple Input	TCJ
Type K Thermocouple Input	TCK
Type T Thermocouple Input	TCT

Low/High Temperature Range
& the Unit (Deg. C or F)