



SERIES: P75

Dial: 3¼", 4"

Accuracy: 3%

Reed Alarm Contacts (option)



DESCRIPTION

Indumart *P75 Series* Differential Pressure Gauges with Piston element are designed to display the pressure differential of two separate pressure inputs on a dial indicator. These gauges are suitable for fluids, where small migration between high and low inputs is permitted. The difference between high and low pressure inputs results in the movement of the piston element, and this movement is magnetically transferred to the indicating assembly.

The *P75 Series* Gauges cover an extended range from 0-25 kPa to 0-1000 kPa of differential pressure. The maximum allowable high pressure input can be up to 40 MPa (5800 psi).

For switching action, these gauges can be equipped with reed switches to initiate alarms or to control the process. Up to two SPDT or SPST relays may be installed for high and low limits.

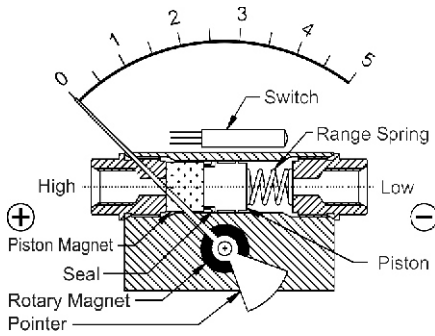
If these pressure gauges are used at measuring points with high dynamic alternating loads and strong vibrations, they may be filled with silicon or glycerin to ensure smooth pointer movement and to provide lubrication of the moving parts; protecting the measuring system against wear.

Indumart *P75 Series* are mostly used for monitoring filters, pumps and valves in the water, air, natural gas and gasoline systems. They may be mounted directly to the pressure ports, mounted to a pipe or on the panel surface.

SPECIFICATIONS

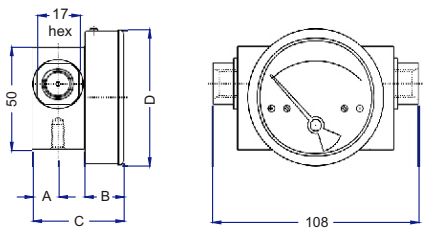
Accuracy	±3% of full scale dial
Dial Size	3¼" (80 mm), 4" (100 mm),
Wetted Parts	SS316, SS302 compression spring, seal, ceramic magnet
Dial Case	St. steel with rubber ring
Body Material	Engineering polymer
Sensing Element	Magnetic piston with spring
Operating Principle	Magnetic coupling
Seal	Buna-N (standard), Viton
Window	Glass (std), acrylic, hard glass
Connection	In-line, bottom or back
Thread	¼" NPT or BSP female (std) ¼" male, ½" male or female
Range	0...25 kPa to 0...1000 kPa; 0...5 psi to 0...150 psi; 0...0.25 bar to 0...10 bar single or dual range (bar/psi, psi/kPa)
Max. Operating Press.	1500, 3500 or 5800 psi
Overload Protection	100% of the max. operating pressure from either side
First Marking on Dial	15% of the scale
Zero Adjustment	Inside the + port (tamper proof)
Mounting	Direct, 2" pipe, front panel flange
Switch (CE marked)	One or two SPST or SPDT;
SPST	10 VA, 150 V AC/DC, 0.5 A 45...100% adjust., 25% Hyst.
SPDT	5 VA, 1750 V AC/DC, 0.25 A 35...100% adjust., 15% Hyst.
Electrical Connection	DIN plug or PG cable gland
Max. Follower Pointer	Red on acrylic window (option)
Strainer Option	Wire mesh placed in + port
Media Temperature	80°C / 175°F maximum
Media Temperature	0...60°C / 30...140°F
Environ. Protection	IP65 for the gauge & switch
Migration of Media	Very little
Weight	360 g (0.8 lb)

Operating Principle: Magnetic coupling using piston and compression spring

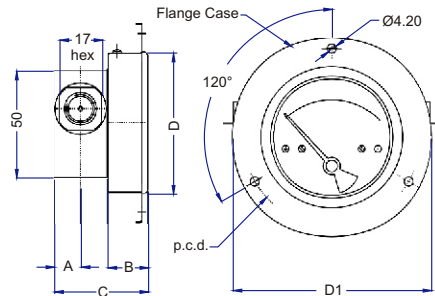


DIMENSIONS (mm)

STANDARD CASE



CASE WITH FRONT FLANGE



Dial	A	B	C	D	D1	p.c.d.
3 1/4"	12.5	19	44	83	109	99
4"	12.5	19	44	104	131	121

Specifications may change without prior notice.

ORDER CODES

Model P75

CONNECTION

In-line (standard)
Back
Bottom

L
K
T

DIAL SIZE

3 1/4" (80 mm)
4" (100 mm)

3
4

MAX. OPERATING PRESSURE

1500 psi (100 bar)
3500 psi (250 bar)
5800 psi (400 bar)

L
M
H

FUNCTION

Gauge
Switch
Gauge + Switch

G
S
W

CONNECTION

1/4" BSP female (std.)
1/4" NPT female (std.)
1/4" BSP male
1/2" NPT female
1/2" BSP female

B
N
P
S
Z

WINDOW

Glass (standard)
Acrylic
Hard Glass

G
A
H

SEALS

Buna N (standard)
Viton

B
V

REED SWITCH (not available for back or bottom connection units)

None
One SPST Switch
Two SPST Switches
One SPDT Switch
Two SPDT Switches

0
1
2
3
4

ELECTRICAL CONNECTION (specify only when reed switches are ordered)

DIN plug at the top (std.)
DIN plug on the LP side
2 DIN plugs on for 2 SPDTs on LP side & top
PG cable gland on the LP side

0
1
2
3
4

OPTION (more than one option may be selected)

Glycerine filled
Silicon filled
Integrated front flange
Wall or 2" pipe mounting bracket
Adjustable follower pointer (only available with acrylic window)
Strainer

FG
FS
MF
MK
PF
ST

Please specify the range from the Table.

STANDARD RANGES

kPa	0-25, 0-50, 0-75, 0-100, 0-160, 0-200, 0-250, 0-300, 0-350, 0-400, 0-500, 0-600, 0-700, 0-900, 0-1000	Other ranges and scale units are available, on request.
psi	0-5, 0-8, 0-15, 0-20, 0-25, 0-30, 0-40, 0-50, 0-60, 0-80, 0-100, 0-150	
bar	0-0.25, 0-0.5, 0-0.75, 0-1, 0-1.6, 0-2, 0-2.5, 0-3, 0-3.5, 0-4, 0-5, 0-6, 0-7, 0-9, 0-10	
mbar	0-250, 0-500, 0-750, 0-1000	
kg/cm ²	0-0.25, 0-0.5, 0-0.75, 0-1, 0-1.6, 0-2, 0-2.5, 0-3, 0-3.5, 0-4, 0-5, 0-6, 0-7, 0-9, 0-10	



INDUMART INC.

1-15 W. Pearce St., Richmond Hill, Ont. L4B 1H6, Canada
Phone: (905) 707-9998 Fax: (905) 707-8484 E-mail: Sales@Indumart.com