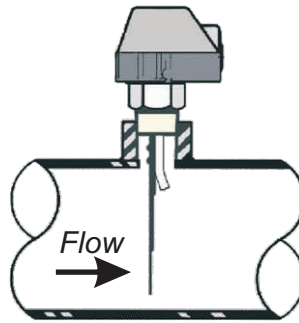


Model: FSP120

- COMPACT
- EASY INSTALLATION
- DEFINITE ON/OFF ACTION
- CORROSION RESISTANT CASE
- EXTREMELY LONG LIFE EXPECTANCY

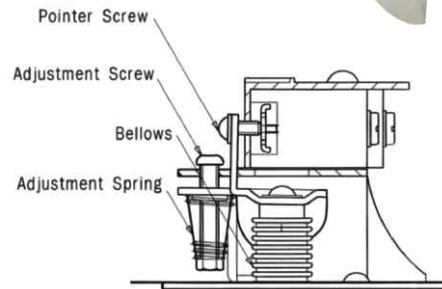


DESCRIPTION

Indumart *FSP120* Paddle-type Flow Switch is excellent for ON/OFF control of flow in pipes or open channel applications.

The device is installed in the direction of the flow and a reactive force is induced in the paddle in proportion to the rate of flow, which generates a proportional force in the control spring. Thus a variable force balance is maintained between the flow and the control spring until the flow exceeds a set flow rate. When the set flow rate is reached, the reaction plate activates the micro switch to open or close the contacts. Switching action of the *FSP120* is very definite. Five paddles are supplied with each flow switch to make it applicable for both small and large diameter pipes.

The *FSP120* Paddle-type Flow Switches will last for long periods of time, since they transmit the paddle movements through a flexible bellows with at least 100,000 times fatigue limit.



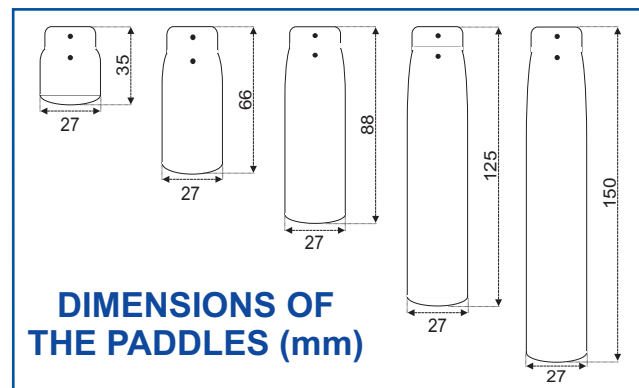
SPECIFICATIONS

- Socket** Brass, 1" NPT
- Bellows** Phosphor Bronze
- Paddles** 5 paddles made of stainless steel
- Cover** ABS
- Max. Temperature** 100°C
- Max. Pressure** 150 psi (10 bar)
- IP Rating** IP43

CHARACTERISTIC CHART

Approximate Actuation and De-Actuation Flow Rates for Water @ 15°C.

Main Pipe Diameter (Inch)	Minimum Flow (m ³ /h)		Maximum Flow (m ³ /h)	
	Actuation Flow Rate	De-Actuation Flow Rate	Actuation Flow Rate	De-Actuation Flow Rate
1	0.9	0.5	2.7	2.5
1¼	1.6	0.8	4.5	4.1
1½	1.8	1.2	6.3	5.7
2	2.1	1.6	7.2	6.3
2½	3.6	2.1	12.6	11.3
3	4.1	2.3	17.3	16.5
4	7.7	3.9	24.7	21.6
6	17	7.8	52.8	43.8



RATING OF THE MICRO SWITCH

Voltage	Resistance Load	Inductive Load	Motor and Lamp Loads	
			N.C.	N.O.
125 VAC	15 A	10 A	3 A	1.5 A
250 VAC	15 A	10 A	3 A	1.5 A
125 VDC	0.5 A	-	-	-
250 VDC	0.25 A	-	-	-

