

SERIES: FPS120

- COMPACT
- EASY INSTALLATION
- DEFINITE ON/OFF ACTION
- CORROSION RESISTANT CASE
- EXTREMELY LONG LIFE EXPECTANCY

DESCRIPTION

Indumart FPS120 series of Paddle-type Flow Switches are excellent for ON/OFF control of flow in pipes or open channel applications.

The device is installed in the direction of the flow and a reactive force is induced in the paddle in proportion to the rate of flow, which generates a proportional force in the control spring. Thus a variable force balance is maintained between the flow and the control spring until the flow exceeds a set flow rate. When the set flow rate is reached, the reaction plate activates the micro switch to open or close the contacts. Switching action of the FPS120 Series is very definite.

The FPS120 Paddle-type Flow Switches will last for long periods of time, since they transmit the paddle movements through a flexible bellows with at least 100,000 times fatigue limit.



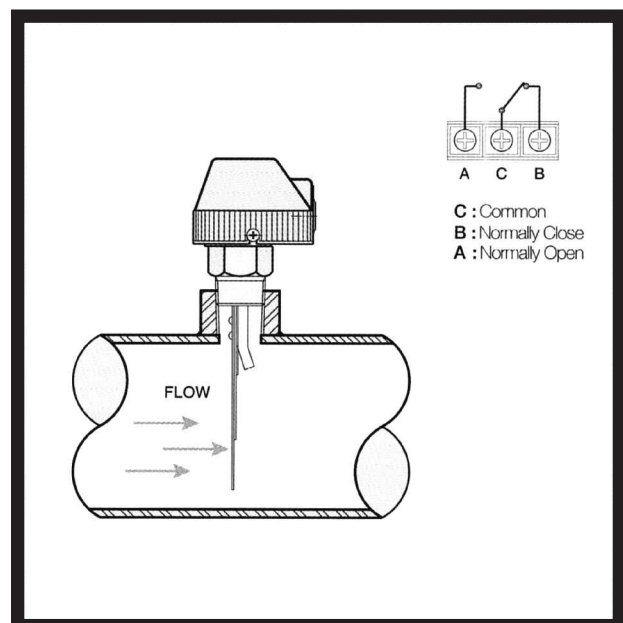
SPECIFICATIONS

Material

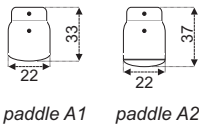
Model	FPS120-1	FPS120-2	FPS120-3
Cover	ABS	Aluminum Diecasting	Aluminum casting
Bracket	Zn plated SS304	SS304	SS304
Bellows	Phosphor Bronze	Phosphor Bronze	
Socket	Brass	Brass	SS304
Paddle	SS304	SS304	SS304

Physical Data

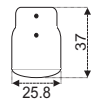
Model	FPS120-1	FPS120-2	FPS120-3
Temp. Limits	80°C	80°C	135°C
Operating Press.	150 psi	150 psi	1000 psi
Electrical Rating	5A @ 120/240 VAC	5A @ 120/240 VAC	5A @ 120/240 VAC
Weight	Approx. 500g	Approx. 1.5kg	Approx. 2kg
Construction	IP43	Waterproof	Explosion Proof



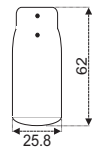
DIMENSIONS OF THE PADDLES (mm)



Group "A"



paddle B1

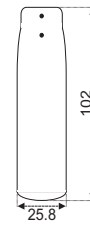


paddle B2

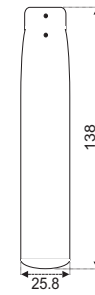


paddle B3

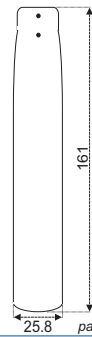
Group "B"



paddle C4



paddle C5



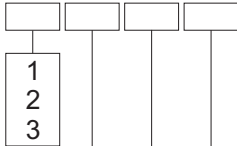
paddle C6

Group "C"

ORDERING

FPS120 -

Standard type
Weather proof
Explosion proof



WETTED MATERIAL

Brass & SS304 (std.)
SS304
SS316

MOUNTING SIZE

3/4" NPT (std.)
1" NPT (std.)
Other

PADDLE FOR APPLICABLE PIPE

Group "A": 3/4"...1" (3/4" mounting)
Group "B": 1"...3" (1" mounting)
Group "C": 1"...6" (1" mounting)

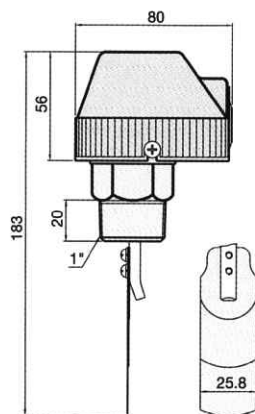
CHARACTERISTIC CHART

Approximate Actuation and De-Actuation Flow Rates for Water @ 15°C.

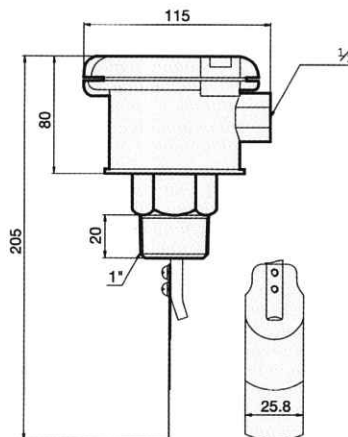
Main Pipe Diameter (inch)	Mounting Size (inch)	Paddle	Maximum Flow (gpm)		Minimum Flow (gpm)	
			Actuation Flow Rate	De-Actuation Flow Rate	Actuation Flow Rate	De-Actuation Flow Rate
3/4	3/4	A1	6.2	5.9	2.9	1.8
1		A2	11.5	11.0	5.0	3.3
1	1	B1	8.8	8.5	4.2	2.5
1 1/4			13.3	12.5	5.8	3.7
1 1/2		19.2	18.0	7.5	5.0	
2		B2	29.0	27.0	13.7	9.5
2 1/2			34.5	32.0	18.0	12.5
3		B3	53.0	50.0	27.5	19.0
4	128.0		122.0	65.0	50.0	
5	245.0		235.0	125.0	101.0	
6	375.0		360.0	190.0	158.0	
4	C4	81.0	76.0	37.0	27.0	
5	C5	118.0	111.0	57.0	41.0	
6	C6	144.0	135.0	74.0	54.0	

DIMENSIONS (mm)

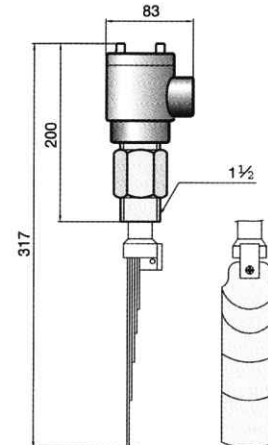
FPS120-1



FPS120-2



FPS120-3



INDUMART INC.

1-15 W. Pearce St., Richmond Hill, Ont. L4B 1H6, Canada
Phone: (905) 707-9998 Fax: (905) 707-8484 E-mail: Sales@Indumart.com